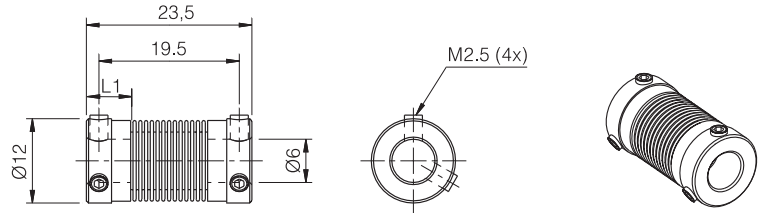


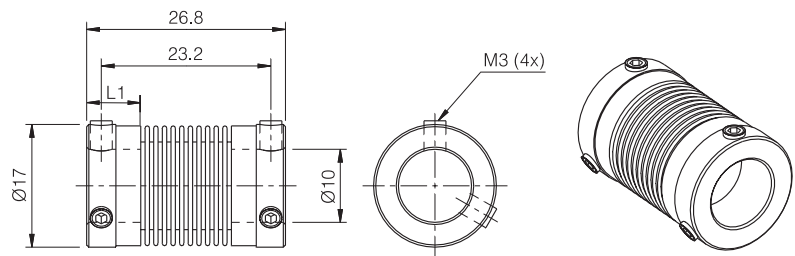
# Couplings

## Bellow couplings

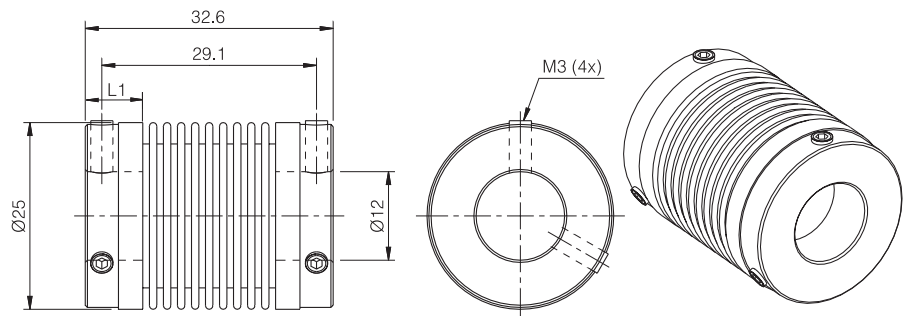
▶ Part no. 534024-01



▶ Part no. 534024-02



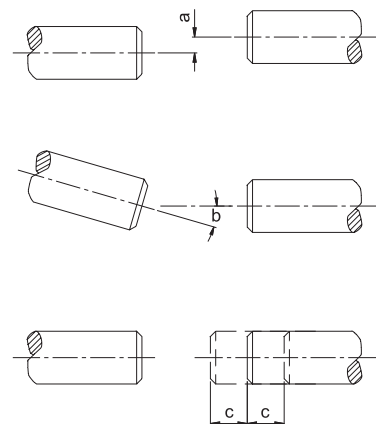
▶ Part no. 534024-03



### MECHANICAL SPECIFICATION

Bellow couplings	534024-01	534024-02	534024-03
Article number	534024-01	534024-02	534024-03
Bore diameter [mm]	6 - 6	10 - 10	12 - 12
Type	Set screw		
Dimensions [mm]			
L Length	23,5	26,8	32,6
L1 Bore length	6	7	7
ØD Diameter	12	17	25
key size	1,3	1,5	1,5
Moment of inertia [Kgm <sup>2</sup> ]	$1,85 \times 10^{-7}$	$3,62 \times 10^{-7}$	$16,1 \times 10^{-7}$
Weight	10 g	9,5 g	19,5 g
Max misalignment			
Angular (b)	2°	1°	1°
Radial (a)	0,07 mm	0,06 mm	0,07 mm
Axial (c)	± 0,31 mm	± 0,32 mm	± 0,38 mm
Torsional rigity	28 Nm/rad	102 Nm/rad	447 Nm/rad
Peak torque	2 Ncm	7 Ncm	45 Ncm

### ALIGNMENT

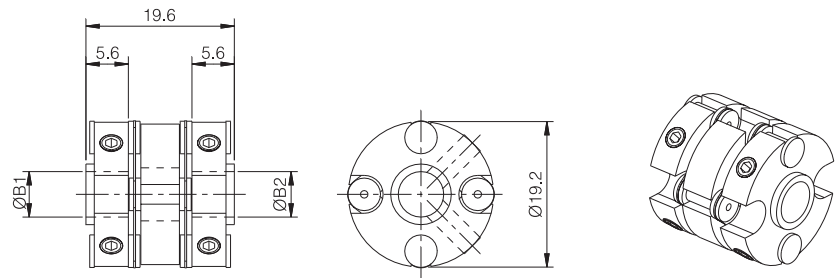




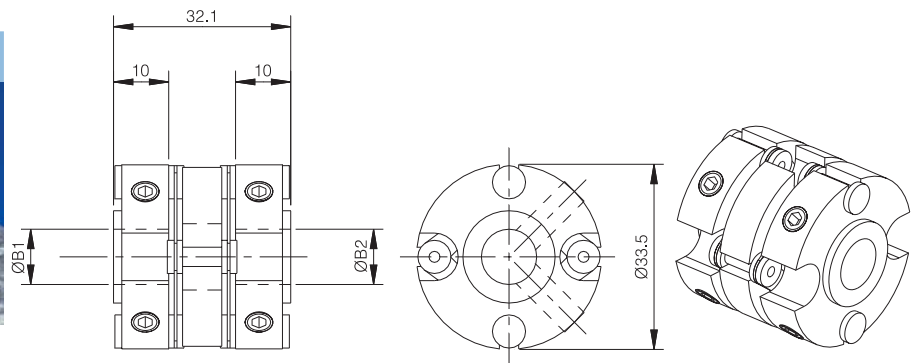
# Couplings

## Membrane couplings

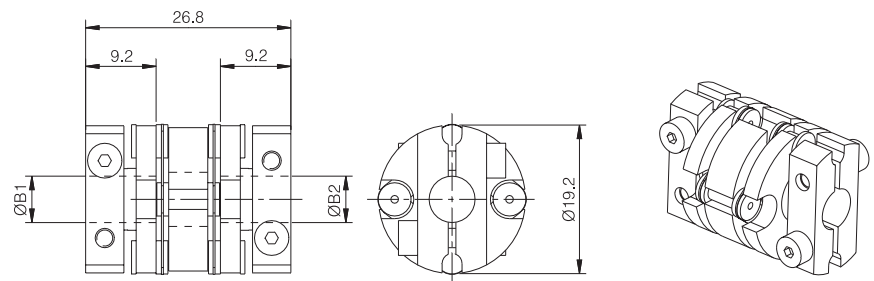
▶ Part no. 46419



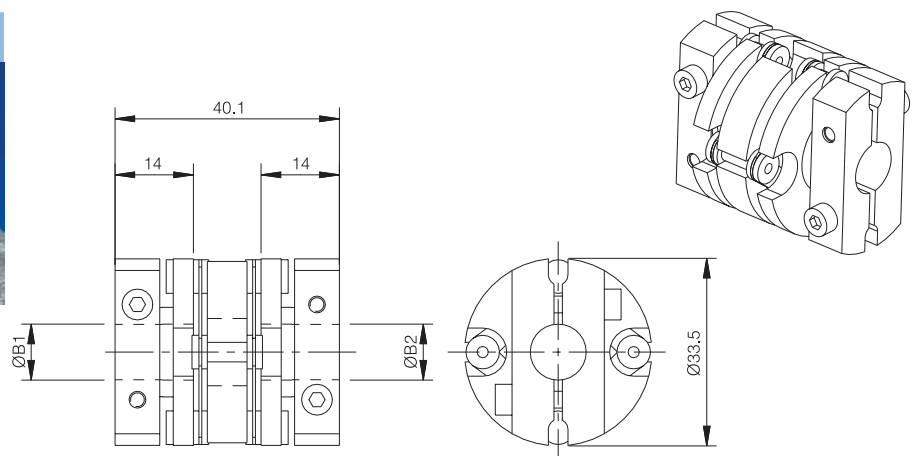
▶ Part no. 46433



▶ Part no. 46619



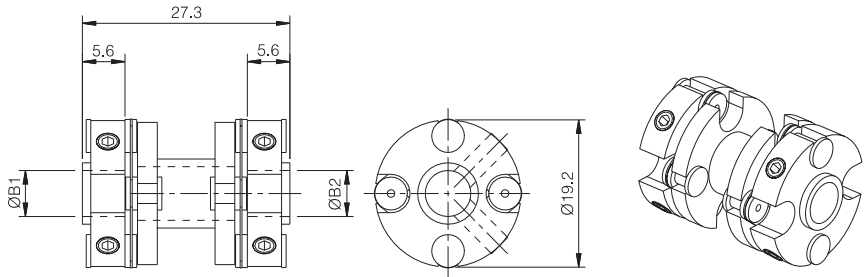
▶ Part no. 46633



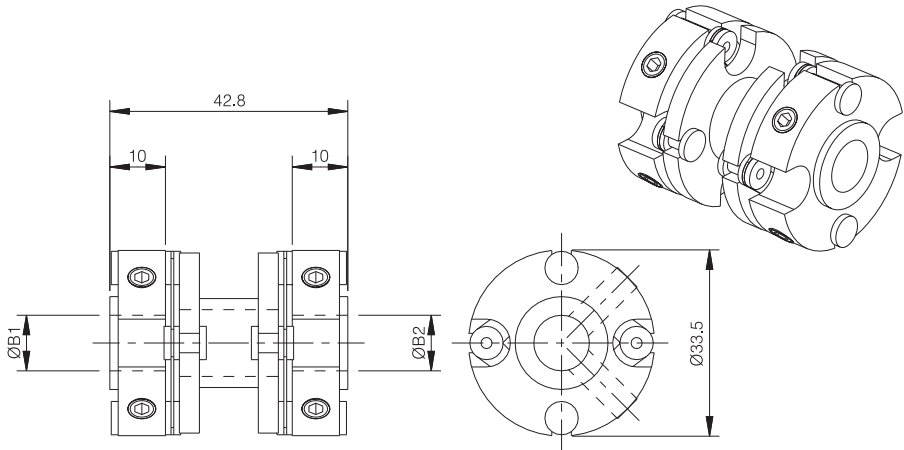
# Couplings



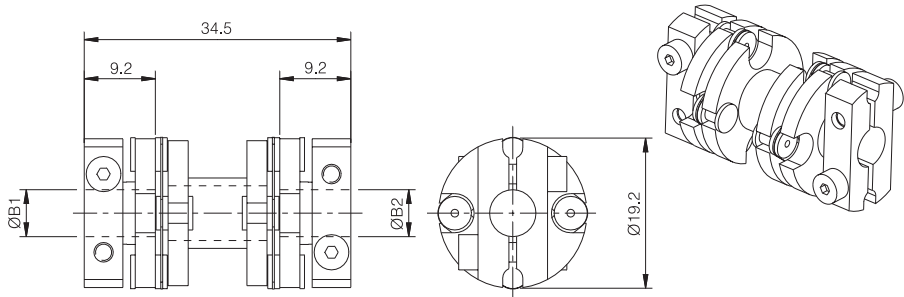
▶ Part no. 46819



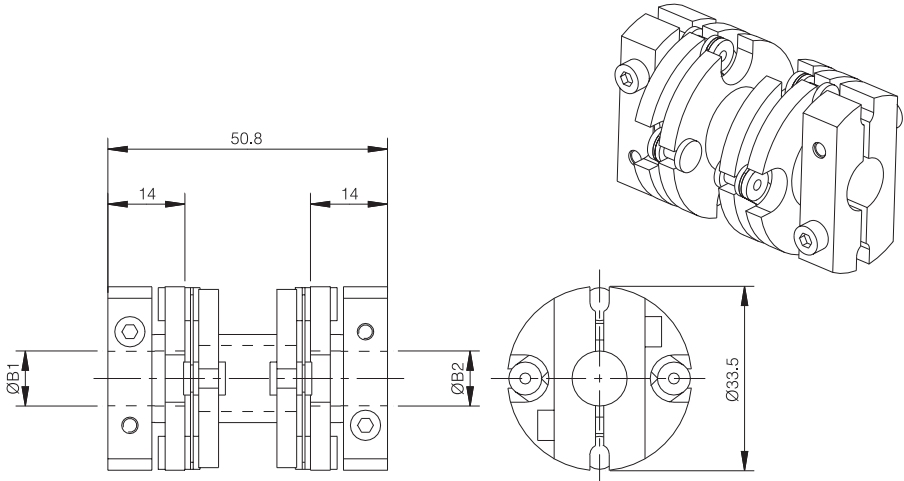
▶ Part no. 46833



▶ Part no. 47019



▶ Part no. 47033



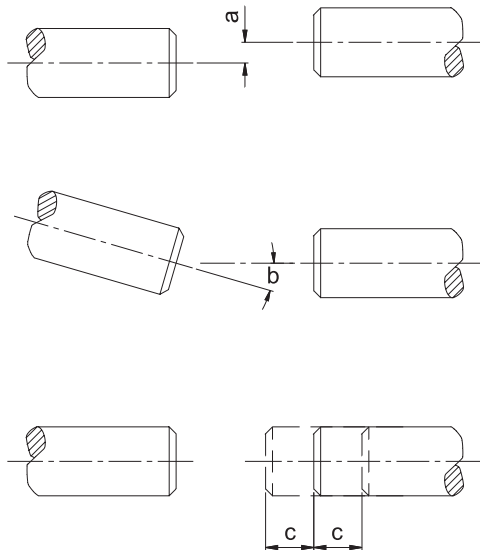


# Couplings

## MECHANICAL SPECIFICATION

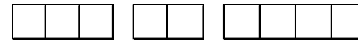
Membrane couplings	Precisely aligned shafts				For greater radial misalignment				
	Article number:	464.19 -	466.19 -	464.33 -	466.33 -	468.19 -	470.19 -	468.33 -	470.33 -
Bore diameter [mm] (Other bore diameters on request)	6 - 6	6 - 6	6 - 10 10 - 10 12 - 12	6 - 10 10 - 10 12 - 12	6 - 6	6 - 6	6 - 10 10 - 10 12 - 12	6 - 10 10 - 10 12 - 12	6 - 10 10 - 10 12 - 12
Type	Set screw	Clamp	Set screw	Clamp	Set screw	Clamp	Set screw	Clamp	Set screw
Dimensions [mm]									
L Length	19,6	26,8	32,1	40,1	27,3	34,5	42,8	50,8	
L1 Bore length	5,6	9,2	10,0	14,0	5,6	9,2	10,0	14,0	
ØD Diameter	19,2	19,2	33,5	33,5	19,2	19,2	33,5	33,5	
key size	1,5	2,0	2,5	2,5	1,5	2,0	2,5	2,5	
Moment of inertia [Kgm <sup>2</sup> ]	5 x 10 <sup>-7</sup>	6 x 10 <sup>-7</sup>	80 x 10 <sup>-7</sup>	73 x 10 <sup>-7</sup>	6 x 10 <sup>-7</sup>	6 x 10 <sup>-7</sup>	83 x 10 <sup>-7</sup>	76 x 10 <sup>-7</sup>	
Weight	10 g	13 g	52 g	51 g	12 g	14 g	55 g	55 g	
Max misalignment									
Angular (b)	4°		3°		4°		3°		
Radial (a)	0,2 mm		0,2 mm		0,4 mm		0,4 mm		
Axial (c)	± 0,2 mm		± 0,2 mm		± 0,2 mm		± 0,2 mm		
Torsional rigidity	150 Nm/rad		935 Nm/rad		145 Nm/rad		980 Nm/rad		
Peak torque	0,9 Nm		5,6 Nm		0,9 Nm		5,6 Nm		

### ALIGNMENT



### ORDERING INFORMATION

#### Membrane couplings



#### Type

464 = Set screw, short  
466 = Clamp, short  
468 = Set screw, long  
470 = Clamp, long

#### Bore

19 2222 = 6-6 mm  
33 2232 = 6-10 mm  
33 3232 = 10-10 mm  
33 3535 = 12-12 mm

Other sizes available, contact Leine & Linde

**Leine & Linde** ISO 9001 / ISO 14001 certified

Leine & Linde AB, Box 8, SE-645 21 Strängnäs, Sweden. Olivehällsvägen 8.  
Phone: +46 (0)152 265 00. Fax: +46 (0)152 265 05. E-mail: info@leinelinde.se

04-11-10 PS. Specifications can be changed without prior notice.